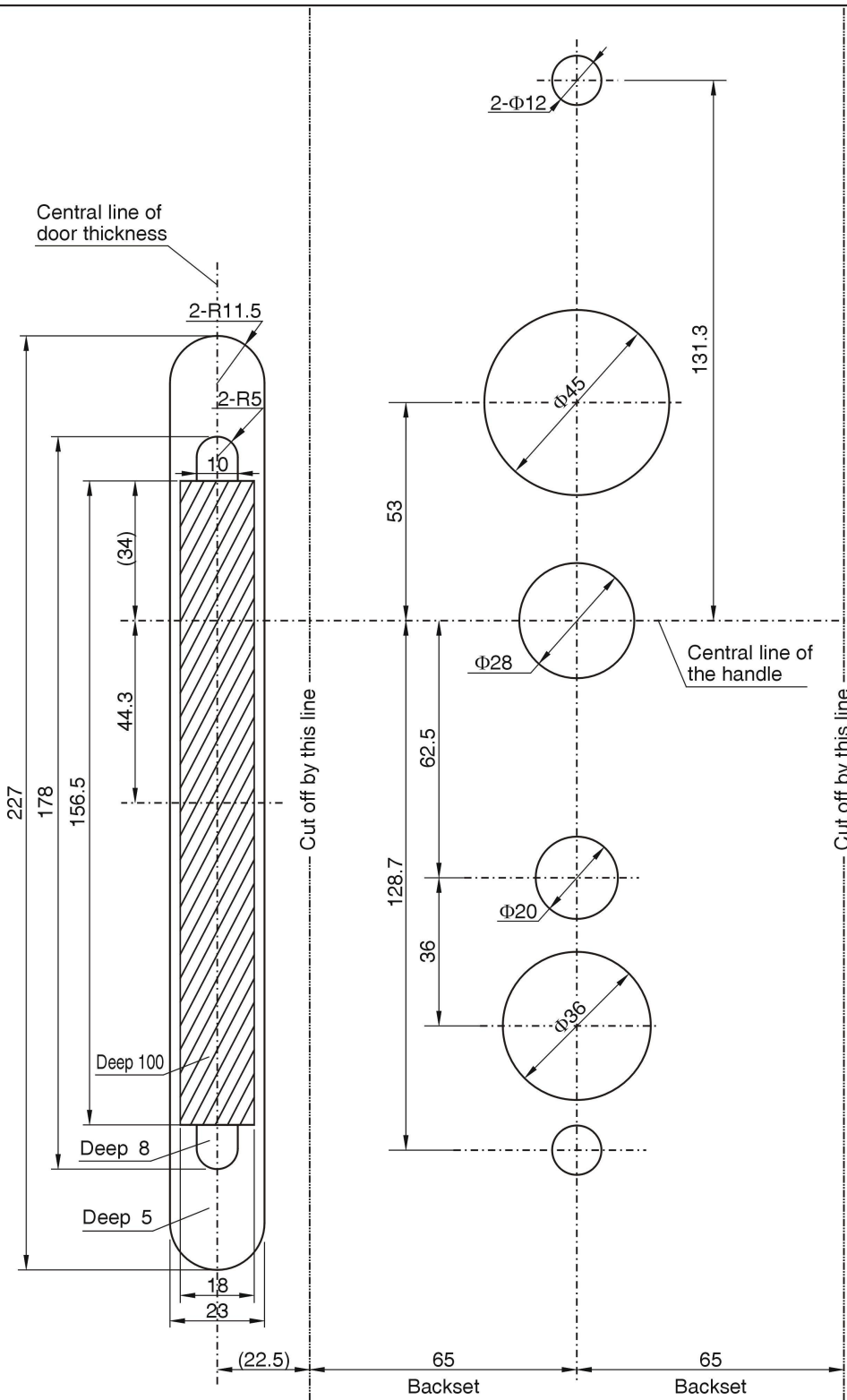


335mm



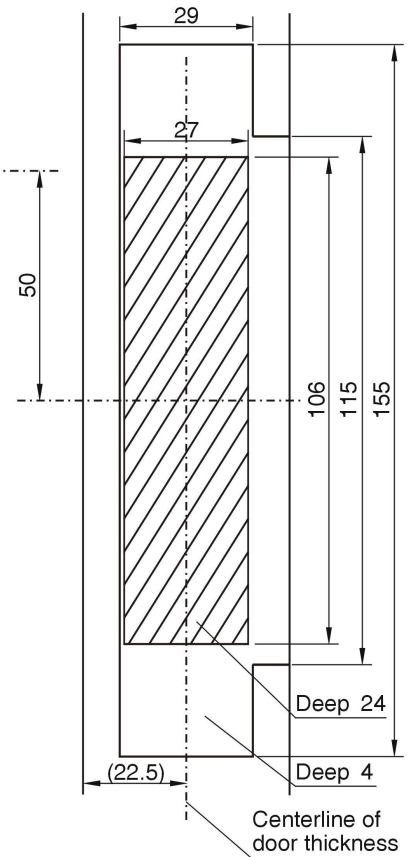
Drilling diagram

【V2XX(M,M4)-65】

Attention: If your door thickness is not standard (45mm), please cut off the drilling diagram by imaginary line/dotted line, then aim at the central line of your specific door thickness and make hole for installation. The unmarked size tolerance of door drilling according to GB/T12471-1990-level 2.

Scale: 1:1
Unit: (mm)

Strike box drilling hole diagram



350mm

A