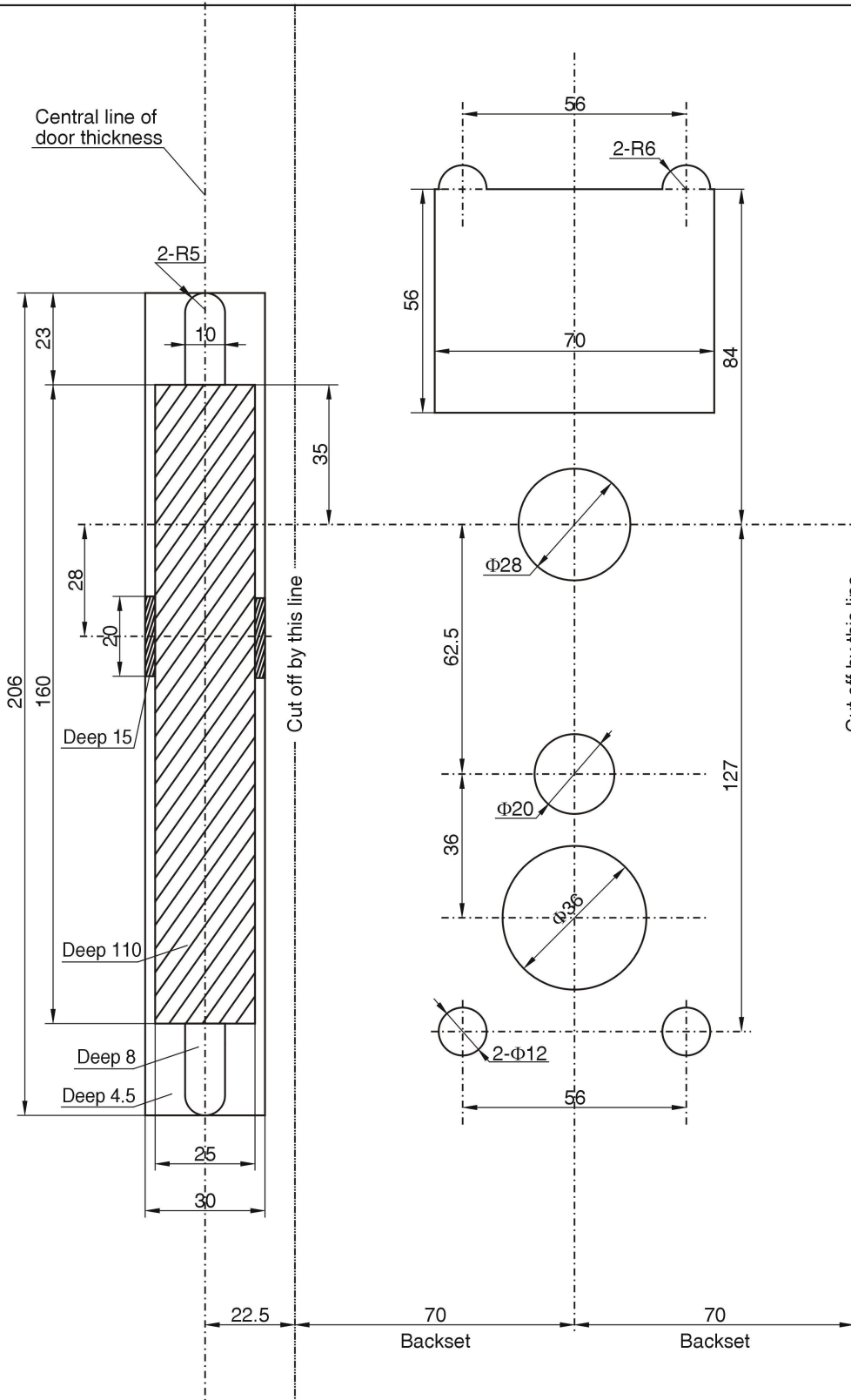


335mm



Drilling diagram

[20XX(C,E,M,AC)-08]

[52XX,65XX(E,M)-08]

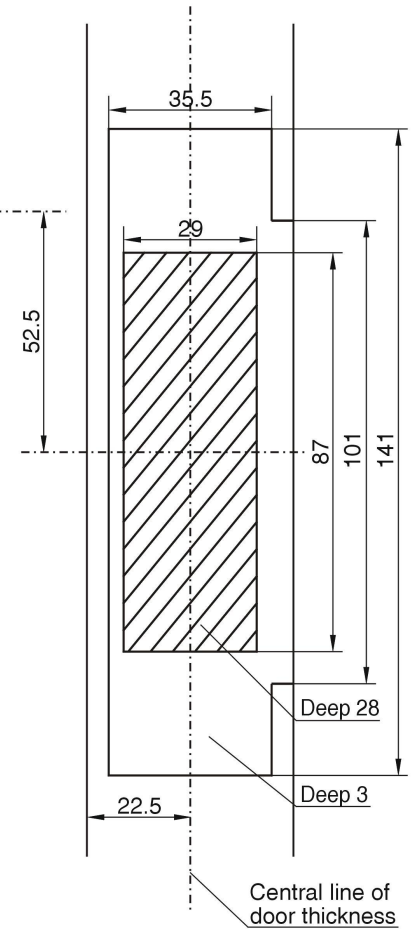
[76XX,81XX(M)-08]

Attention: If your door thickness is not standard (45mm), please cut off the drilling diagram by imaginary line / dotted line, then aim at the central line of your specific door thickness and make hole for installation. The unmarked size tolerance of door drilling according to GB/T12471-1990-level 2.

Scale: 1:1

Unit: (mm)

Strike box drilling hole diagram



350mm