

★ Drill Door Holes G4XX(M)-65

Drill door holes as Figure 1. Figure 1 is for right handle door, as opposed is for left handle door. The unmarked size tolerance of door drilling according to GB/T12471-1990-level 2.

Note: In some special case, enlarge the hole where PCB locates to avoid the PCB touching the door.

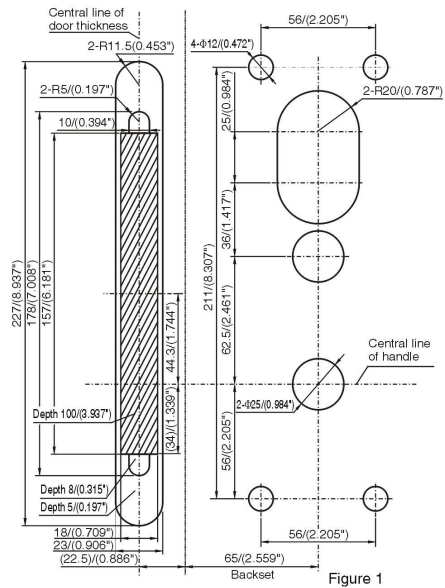


Figure 1

★ Strike box installation hole diagram

Make a hole on the doorframe for installing strike box as Figure 2 shown; The position of strike box should be corresponding central line of door handle.

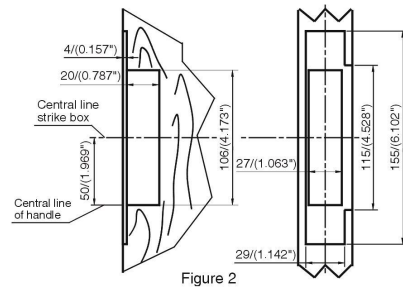


Figure 2

Install the strike box on the doorframe, put on the strike plate, and then fix them with 2 pieces of screw 4.2X25.

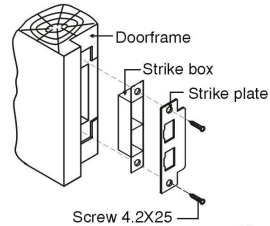


Figure 3

C

★ Installation Guide G4XX(M)-65

Note: the appearance of lock in the pictures may be not the same with the real model, but the installation is the same.

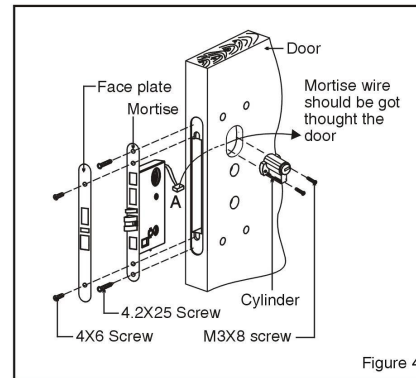


Figure 4

Install the door lock with following steps:

(1). As figure 4 shown, pull the lead-wire B through the hole on the door and fix the mortise with 2 pieces of screw M4.2X25. Then install cylinder into the mortise by two screws. Cover the face plate on it and fasten it with 2 pieces of screw M4X6.

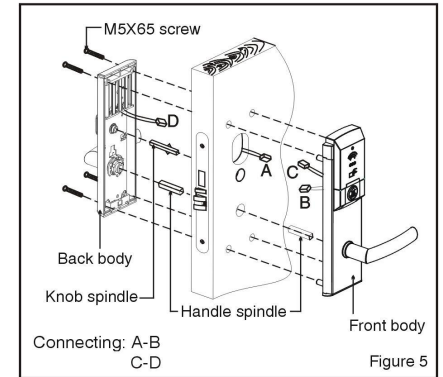


Figure 5

(2). Connect plug B to socket A, connect plug C to socket D, then insert the two handle spindle into the holes of front and back handles respectively, regarding the knob spindle, please put the longer part into the small hole of back body. While installing the front and back body to the door, make sure the cylinder on the right position. Then fasten the back and front body with 4 pieces of M5X55 screws. After installation, turn handle to make sure the latch and deadbolt work smoothly, work properly with opening card.

(Note: Initialize the PCB according to the operation instruction before fixing front and back body)

The unmarked size tolerance of door drilling according to GB/T12471-1990-level 2.

C