

### ★ Drill Door Holes G0,G1XX(E,M)-08

Drill the nine holes precisely at the points indicated on diagram 1.

**Note: drill the circle 1 hole from inside when left hand door; drill the circle 2 hole from inside when right hand door.**

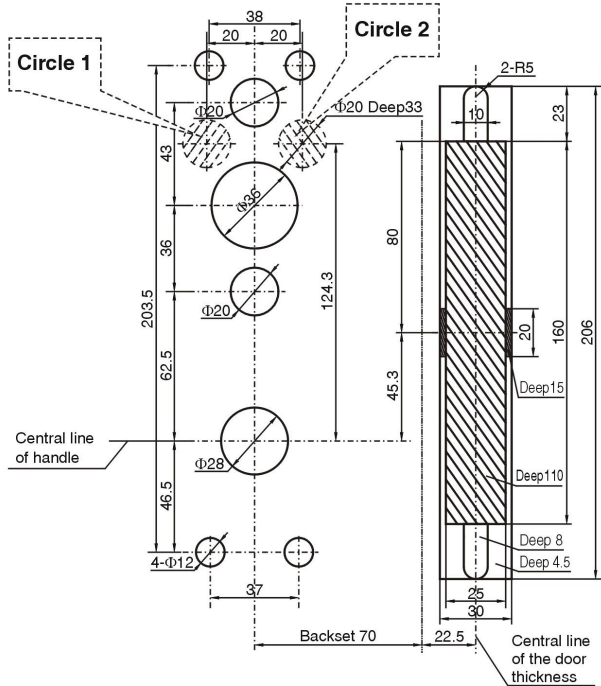


Diagram 1

### ★ Strike Box Installation hole

Drill a hole on the door for installing strike box as shown diagram 2; The height of the holes is same as of the door lock. The position of strike box should be arranged so that the lock keeps flush with the doorframe when close it.

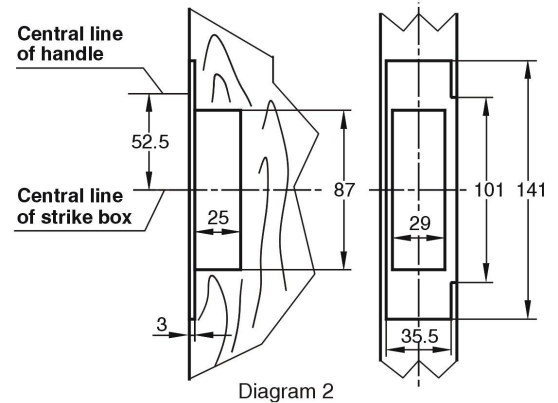


Diagram 2

Insert the strike box into hole, and fix the strike plate on the doorframe with 2 screws (4.2X25)

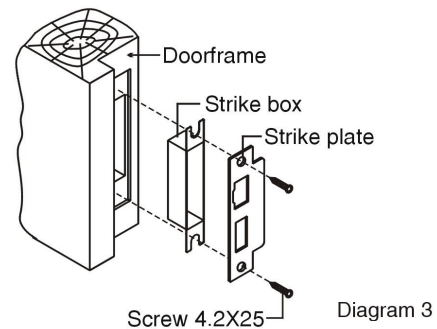


Diagram 3

### ★ Installation Guide G0,G1XX(E,M)-08

Note: the appearance of lock in the pictures may be not the same with the real model, but the installation is the same.

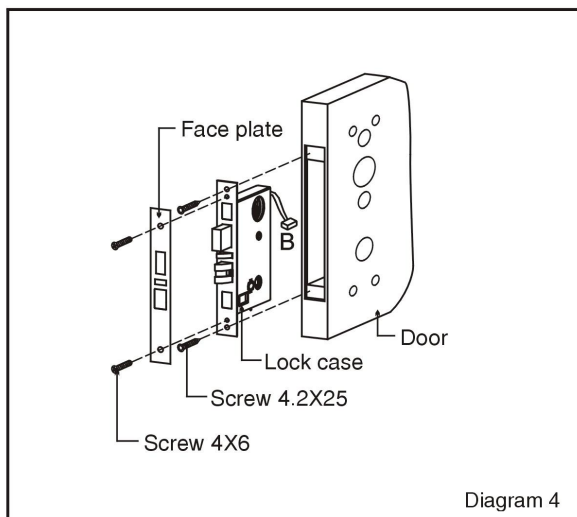


Diagram 4

**Install the door lock with the following steps:**

(1). As shown in diagram 4, install the lock case and fix it with 2 screws (4.2X25). Then, fix the face plate on the door with 2 screws (4X6).

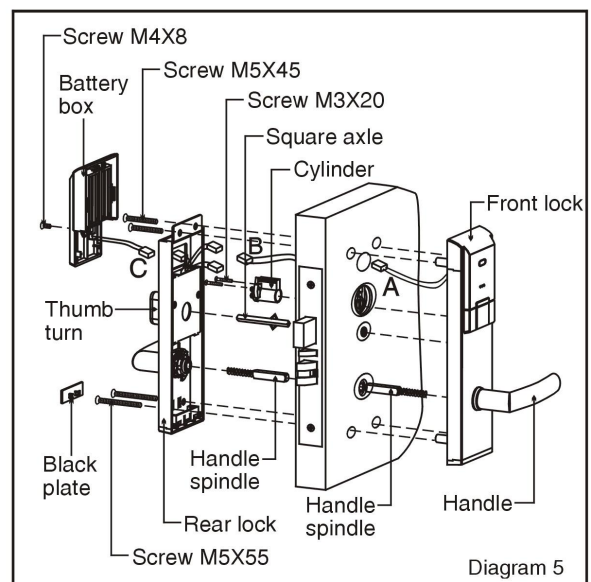


Diagram 5

(2). Shown as diagram 5, fix the cylinder on lock case with 2 screws(M3X20)and insert the square axle into the lock case. Then insert the handle spindles and fix the front lock and rear lock on the door with 4 screws(M5X55).After above procedures, connect wire A with wire B and connect C with corresponding plug. Use 1 screw(M4X8) to fix the battery box and cover the black plate.

The unmarked size tolerance of door drilling according to GB/T12471-1990-level 2.