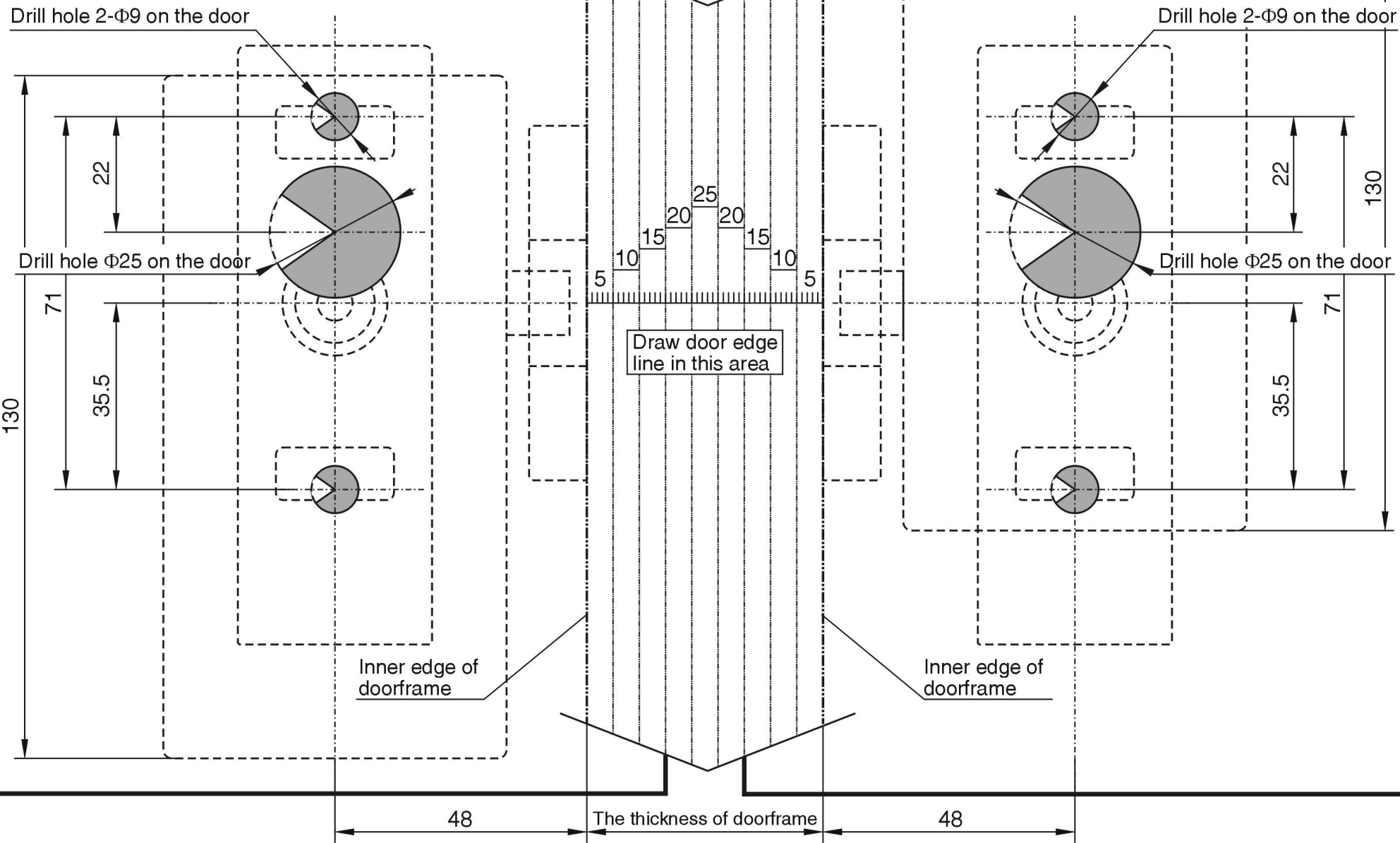


285mm

200mm

Drilling Hole Template
【C1100B(E,M)-12GX(F)】
 The unmarked size tolerance of door drilling according to GB/T12471-1990-level 2.

Scale: 1:1
 Unit: (mm)



Drill hole 2- $\Phi 9$ on the door

Drill hole 2- $\Phi 9$ on the door

Drill hole $\Phi 25$ on the door

Drill hole $\Phi 25$ on the door

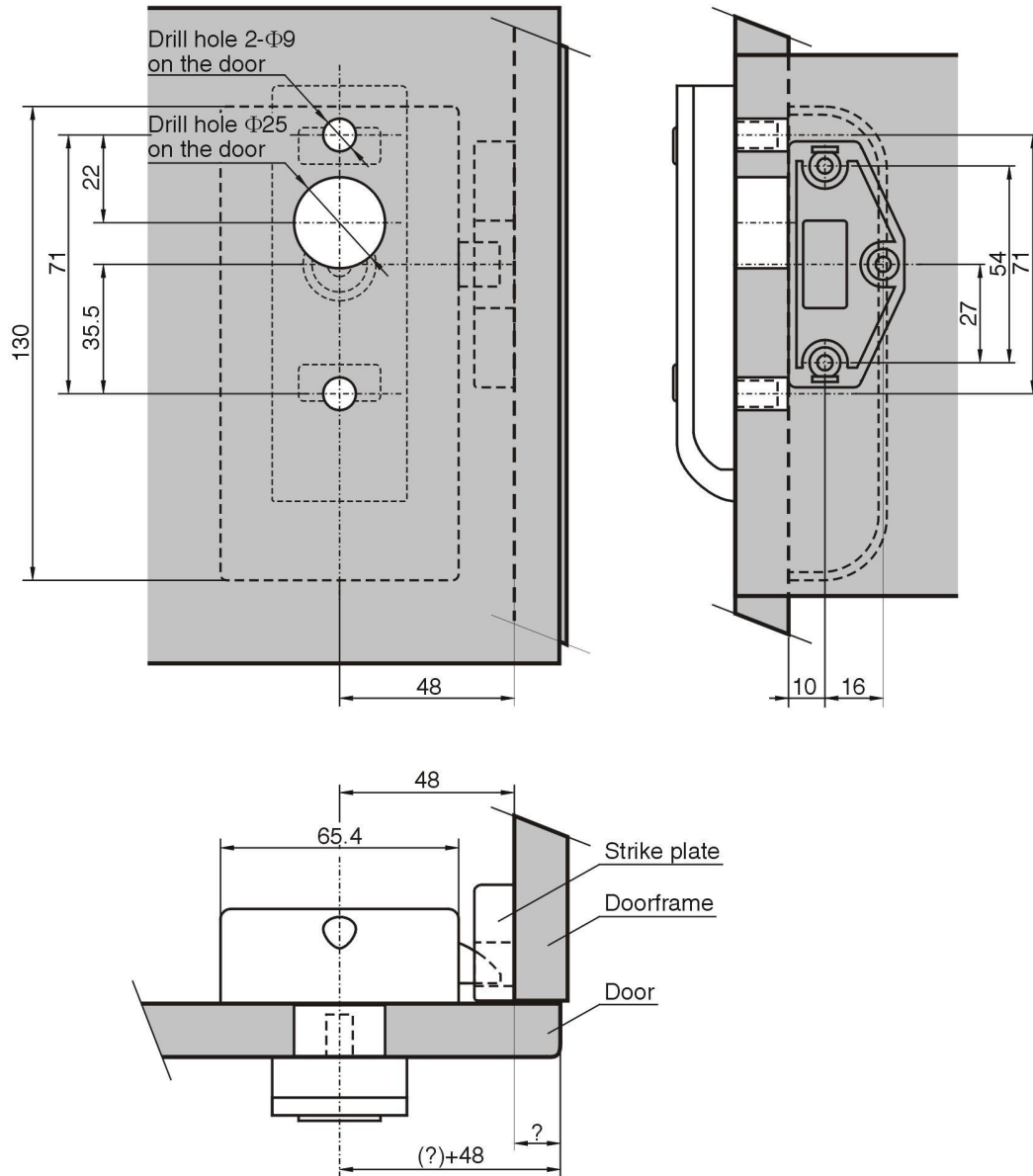
Draw door edge line in this area

Inner edge of doorframe

Inner edge of doorframe

The thickness of doorframe

C1100B(E,M)-12GX(F) Drilling Hole Template and Installation Instruction



Installation Procedure

shown as figures which are for the left-unlocking door.(if right-unlocking door, opposite)

1. Drill holes according to the dimension described on the left figure before installation.
2. Connect the cable of the rear lock to the socket of the front panel through the hole of door and then fix the front panel and rear lock with 2 screw.
3. Put batteries in and cover the battery cover, then fix it with 1 screw.
4. The installation position of the strike plate should be corresponding with the latch of lock. Fix the strike plate on the doorframe with 3 pieces of screw.

