

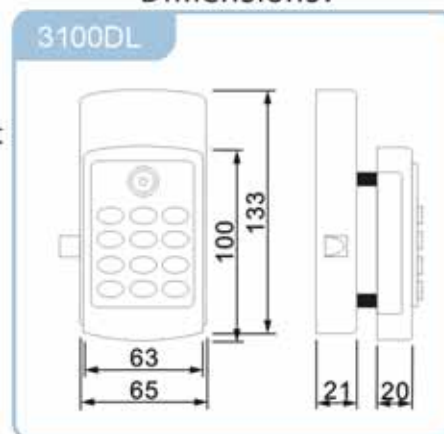


All the benefits of the Be-Tech Cyber Digit Classic (3100DL) but tougher and more robust for challenging environment. With additional programming features, stainless steel material, and improved number of operations, the Cyber Digit Classic (3100DL) provides enhanced benefits to facilities managers looking to simplify access control without the need of keys.

Technical Specification

Power:	4 x 1.5 AA Batteries
Operations:	15,000 Openings
Low battery:	When lock signals "Low Battery" there will be 100 additional openings
Memory:	Non-Volatile memory will be retained when changing batteries
Battery Override:	A battery case can be plug in external round socket
Material:	Stainless Steel
Door thickness:	12mm (0.47") up to 22mm (0.87")
Buttons:	12 individual round buttons
Functions:	Private or Public
Fitting options:	New or retrofit
Finish:	Silver (Brushed Stainless Steel)
Accessories available:	iButton, Override battery case
Codes & Keys :	Cyber Digits Classic has 4 code & key levels Owner key, Master key And User code or User key
Unlocking feature:	Automatic motor driving

Dimensions:



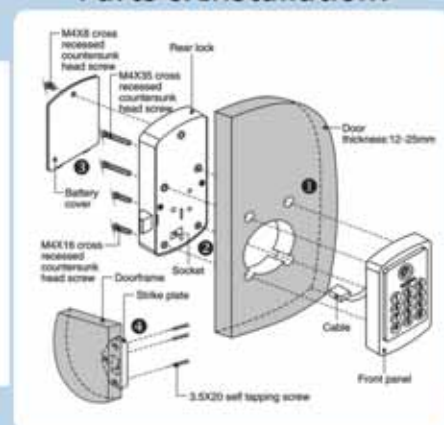
Codes & iButton keys

The locks is supplied without factory preset codes & iButton keys
iButton keys have to order separately

Owner key (Red) :	1 group
Master key (Blue) :	3 group
User code :	1 group
User key :	1 group (optional)

Program both iButton keys & codes after lock has been installed

Parts & Installation:



Functions:

Private Function

This is the most common function and used where the same code will be repeatedly used, e.g a pupil in a school or an employee with the same locker in the workplace.

Public Function

The locker locks operates with a single user code. The guest enters a personal code with 4~9 digit to locks the lock. The same code is entered to open the lock before being erased and ready for next user. This function is used for short term, multi occupancy applications, e.g a locker in a gym center.