

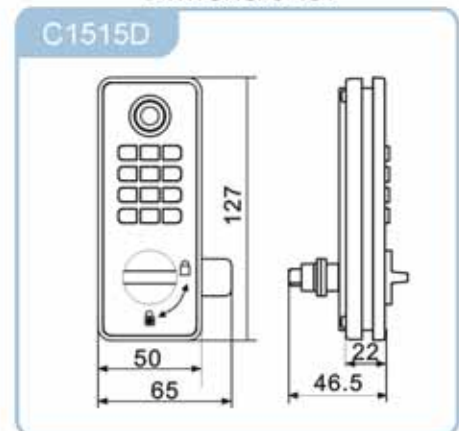


Be-Tech Cyber Digit Cam (C1515D) is a valuable electronic cam locks supplied as standard on a wide range of steel lockers cabinets and cupboards. The keyless locks are easy to fit, with the flat and fashion design, it provides high security and comfort for locker and cabinet instead of uncomfortable mechanical keys that require expensive maintenance

## Technical Specification

Power:	2 x 1.5 AAA Batteries
Operations:	10,000 Openings
Low battery:	When lock signals " Low Battery" there will be 100 additional openings
Memory:	Non-Volatile memory will be retained when changing batteries
Battery Override:	A battery case can be plug in external socket
Material:	ABS plastic
Door thickness:	0.6mm (0.024 ") up to 2.5mm (0.098 ")
Buttons:	12 individual square buttons
Functions:	Private or Public
Fitting options:	New or retrofit
Finish:	Silver, Gray, Gold, Coffee
Accessories available:	iButton, Override battery case
Codes & Keys :	Cyber Digits Cam has 4 code & key levels Owner key, Master key or Master code And User code or User key
Unlocking feature:	Manual

### Dimensions:



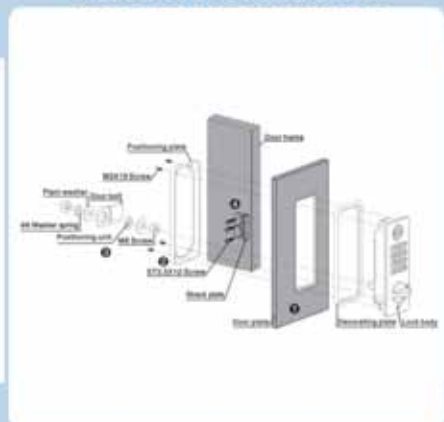
## Codes & iButton keys

The locks is supplied without factory preset codes & iButton keys  
iButton keys have to order separately

<b>Owner key (Red) :</b>	<b>1 group</b>
<b>Master key (Blue) :</b>	<b>5 group</b>
<b>User code :</b>	<b>1 group</b>
<b>User key :</b>	<b>1 group (optional)</b>

Program both iButton keys & codes after lock has been installed

## Parts & Installation:



## Functions:

### Private Function

This is the most common function and used where the same code will be repeatedly used, e.g a pupil in a school or an employee with the same locker in the workplace.

### Public Function

The locker locks operates with a single user code. The guest enters a personal code with 4~9 digit to locks the lock. The same code is entered to open the lock before being erased and ready for next user. This function is used for short term, multi occupancy applications, e.g a locker in a gym center.